



ZHEJIANG HONGDA GROUP DAFENG ELECTRONICS CO.,LTD
ADD: DAYANGCHENG INDUSTRY AREA,DAXI TOWN,WENGLING CITY,ZHEJIANG CHINA

Tel:0086-576-86330671 86331547 Fax:0086-576-86341097

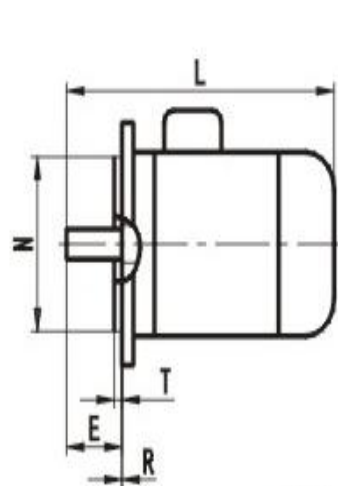
Email: dafengmotor@dafengchina.com

YC series capacitor start single phase asynchronous motor

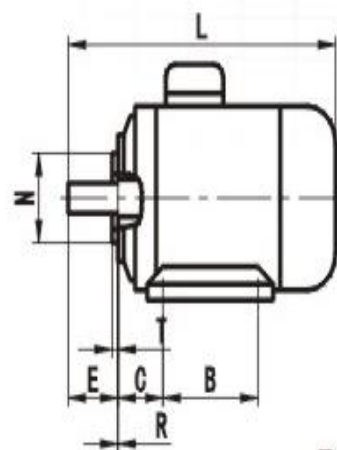
Model	Power (KW)	Power (HP)	Unit price-cast iron FOB Ningbo	Unit price-AL FOB Ningbo	Mounting type	Rated voltage (V)	Frequency (Hz)	speed (r/min)	Rated current (A)	Efficiency(%)	Power Factor	locked-rotor current	Locked-rotor torque	Max.torque
												Rated Current	Rated torque	Rated torque
YC7112	0.18	0.25	21.25	21.25	B3	220	50	2800	1.89	60	0.72	6	3	1.8
YC7122	0.25	1/3	23.00	23.00	B3	220	50	2800	2.4	64	0.74	6	3	1.8
YC8012	0.37	0.5	29.19	29.19	B3	220	50	2800	3.36	65	0.77	6	2.5	1.8
YC8022	0.55	0.75	32.79	32.79	B3	220	50	2800	4.65	68	0.79	6	2.5	1.8
YC90S-2	0.75	1	37.13	38.25	B3	220	50	2800	5.94	70	0.82	6	2.5	1.8
YC90L-2	1.1	1.5	42.31	43.58	B3	220	50	2800	8.1	73	0.85	6	2.5	1.8
YCX100L2	1.5	2	62.63	65.76	B3	220	50	2800	12	75	0.76	7	2.2	1.8
YCX112M2	2.2	3	85.63	90.77	B3	220	50	2800	16.9	76	0.78	7	2.2	1.8
YC7114	0.12	0.16	21.25	21.25	B3	220	50	1400	1.88	50	0.58	5	2.8	1.8
YC7124	0.18	0.25	23.00	23.00	B3	220	50	1400	2.49	53	0.62	5	2.8	1.8
YC8014	0.25	1/3	29.19	29.19	B3	220	50	1400	3.11	58	0.63	5	2.5	1.8
YC8024	0.37	0.5	32.79	32.79	B3	220	50	1400	4.24	62	0.64	5	2.5	1.8
YC90S-4	0.55	0.75	37.13	38.25	B3	220	50	1400	5.57	65	0.69	5	2.5	1.8
YC90L-4	0.75	1	42.31	43.58	B3	220	50	1400	6.77	69	0.73	5.5	2.5	1.8
YCX100L1-4	1.1	1.5	61.52	64.60	B3	220	50	1400	9.3	73	0.74	7	2.2	1.8
YCX100L2-4	1.5	2	68.36	71.78	B3	220	50	1400	12.3	74	0.75	7	2.2	1.8
YCX112M4	2.2	3	88.77	94.10	B3	220	50	1400	18.6	73	0.74	7	2.2	1.8



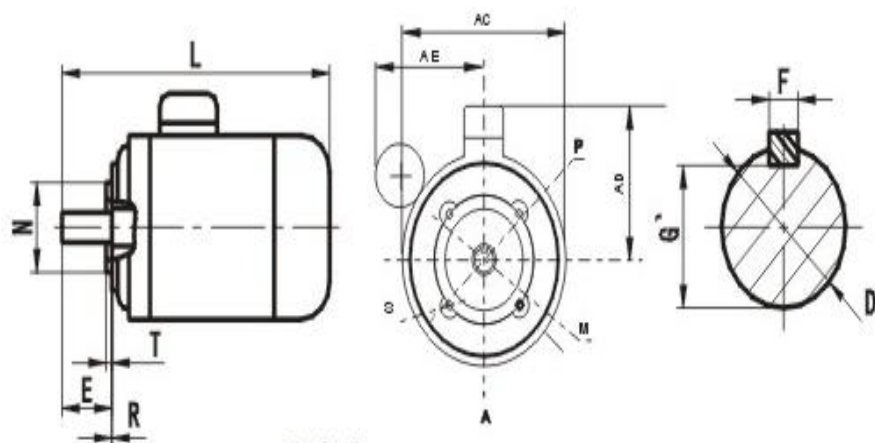
Installation dimensions of YS.YU.YC.YY.YL series single&three-phase separate horsepower and YLD series single-phase pole-changing two-speed asynchronous motor



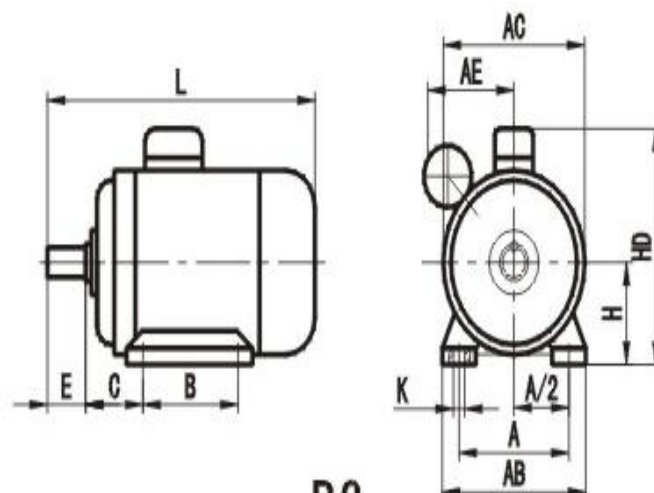
B5



B34



B14



B3

Frame Size	B3 Installation size (mm)										B34 Installation size (mm)						B3、B34 Dimensional (mm)				
	A	A/2	B	C	D	E	F	G	H	K	M	N	P	R	S	T	AB	AC	AE	HD	L
50	80	40	63	32	9	20	3	7.2	50	5.8	55	40	70	0	M5	2.5	100	110	55	125	155
56	90	45	71	36	9	20	3	7.2	56	5.8	65	50	80	0	M5	2.5	115	120	65	135	170
63	100	50	80	40	11	23	4	8.5	63	7	75	60	90	0	M5	2.5	130	130	70	165	230
71	112	56	90	45	14	30	5	11	71	7	85	70	105	0	M6	2.5	145	145	95	180	255
80	125	62.5	100	50	19	40	6	15.5	80	10	100	80	120	0	M6	3.0	160	165	110	200	295
90S	140	70	100	56	24	50	8	20	90	10	115	95	140	0	M8	3	180	185	120	220	310
90L			125																		355
100	160	80	140	63	28	60	8	24	100	12	215	180	250	0	15	4	205	200	130	260	430
112	190	95	140	70	28	60	8	24	112	12	215	180	250	0	15	4	245	250	140	300	455
132S	216	108	140	89	38	80	10	33	132	12	265	230	300	0	15	4	280	290	155	350	525
132M			178																		565

Frame Size	Axis Extension Size (mm)				B14 Installation Size (mm)						B14 Dimensional (mm)				B5 Installation Size (mm)						B5 Dimensional (mm)			
	D	E	F	G	M	N	P	R	S	T	AC	AD	AE	L	M	N	P	R	S	T	AC	AD	AE	L
50	9	20	3	7.2	55	40	70	0	M5	2.5	110	75	55	155							110	75	60	155
56	9	20	3	7.2	65	50	80	0	M5	2.5	120	80	65	170							120	80	75	170
63	11	23	4	8.5	75	60	90	0	M5	2.5	130	100	70	230	115	95	140	0	10	3	130	100	85	230
71	14	30	5	11	85	70	105	0	M6	2.5	145	110	95	255	130	110	160	0	10	3.5	145	110	95	255
80	19	40	6	15.5	100	80	120	0	M6	3	165	120	110	295	165	130	200	0	12	3.5	175	120	110	300
90S	24	50	8	20	115	95	140	0	M8	3	185	130	120	310	165	130	200	0	12	3.5	185	130	120	335
90L														335										360
100	28	60	8	24	130	110	155	0	M8	4.0	200	180	130	430	215	180	250	0	15	4	220	180	130	430
112	28	60	8	24	130	110	160	0	M8	4.0	250	190	140	455	215	180	250	0	15	4	250	190	140	455
132S	38	80	10	33	165	130	200	0	M10	4	290	210	155	525	265	230	300	0	15	4	290	210	155	525
132M	38													565										