



ZHEJIANG HONGDA GROUP DAFENG ELECTRONICS CO.,LTD
ADD: DAYANGCHENG INDUSTRY AREA,DAXI TOWN,WENGLING CITY,ZHEJIANG CHINA

Tel:0086-576-86330671 86331547 Fax:0086-576-86341097

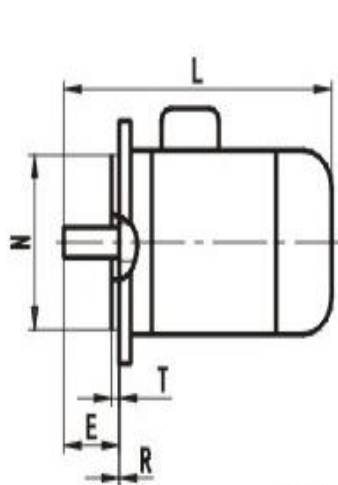
Email: dafengmotor@dafengchina.com

YL series capacitor start and run single phase asynchronous motor

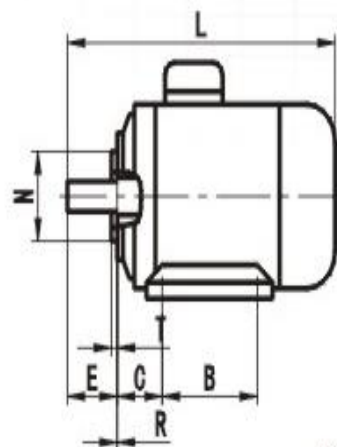
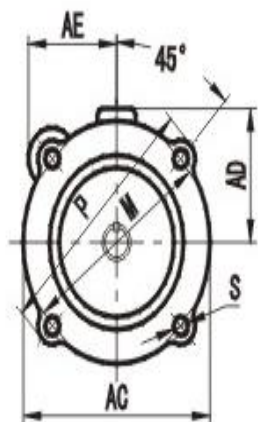
Model	Power (KW)	Power (HP)	Mounting type	Rated voltage(V)	Frequency (Hz)	speed (r/min)	Rated current(A)	Efficiency (%)	Power Factor	locked-rotor current	Locked-rotor torque	Max.torque
										Rated Current	Rated torque	Rated torque
YL7112	0.37	0.5	B3	220	50	2800	2.6	67	0.94	5	1.8	1.8
YL7122	0.55	0.75	B3	220	50	2800	3.6	70	0.94	5	1.8	1.8
YL8012	0.75	1	B3	220	50	2800	5.1	72	0.92	6	1.8	1.8
YL8022	1.1	1.5	B3	220	50	2800	7.02	75	0.92	6	1.8	1.8
YL90S-2	1.5	2	B3	220	50	2800	9.4	76	0.95	5	1.7	1.8
YL90L-2	2.2	3	B3	220	50	2800	13.4	78	0.95	6	1.7	1.8
YL100L-2	3	4	B3	220	50	2800	18.65	77	0.95	6.5	1.6	1.7
YLY112M-2	4	5.5	B3	220	50	2800	24.23	79	0.95	6.5	1.5	1.7
YLY132S2	5.5	7.5	B3	220	50	2800	33.3	79	0.95	6.5	1.5	1.7
YLY132M2	7.5	10	B3	220	50	2800	44.8	80	0.95	6.5	1.5	1.7
YL7114	0.25	1/3	B3	220	50	1400	2.2	59	0.88	6	1.8	1.8
YL7124	0.37	0.5	B3	220	50	1400	3	62	0.9	6	1.8	1.8
YL8014	0.55	0.75	B3	220	50	1400	4	68	0.92	6	1.8	1.8
YL8024	0.75	1	B3	220	50	1400	5.2	71	0.92	6	1.8	1.8
YL90S-4	1.1	1.5	B3	220	50	1400	7.11	74	0.95	5.5	1.7	1.8
YL90L-4	1.5	2	B3	220	50	1400	9.44	76	0.95	6	1.7	1.8
YLY100L1-4	2.2	3	B3	220	50	1400	13.85	76	0.95	6.5	1.6	1.7
YLY100L2-4	3	4	B3	220	50	1400	18.65	77	0.95	6.5	1.6	1.7
YLY112M-4	4	5.5	B3	220	50	1400	24.55	78	0.95	6.5	1.5	1.7
YLY132S4	5.5	7.5	B3	220	50	1400	33.8	78	0.95	6.5	1.5	1.7
YLY132M4	7.5	10	B3	220	50	1400	45.5	79	0.95	6.5	1.5	1.7



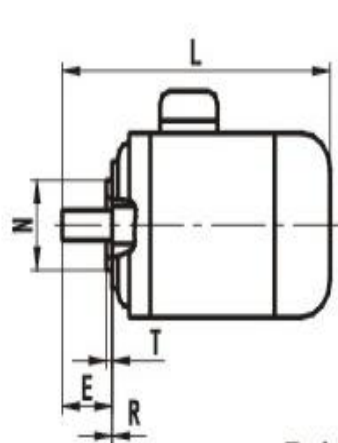
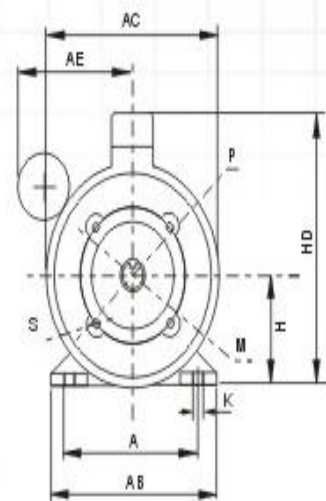
Installation dimensions of YS.YU.YC.YY.YL series single&three-phase separate horsepower and YLD series single-phase pole-changing two-speed asynchronous motor



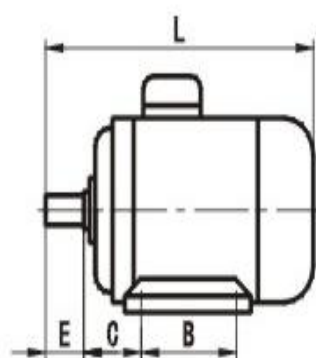
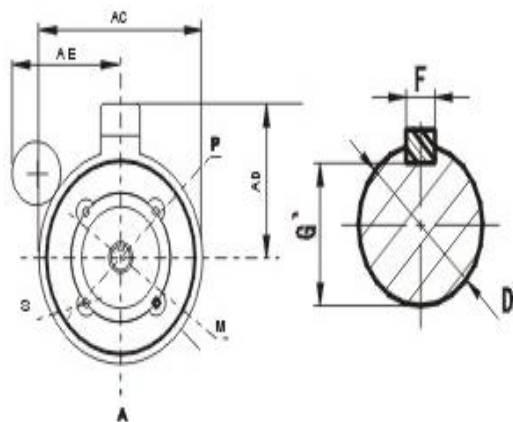
B5



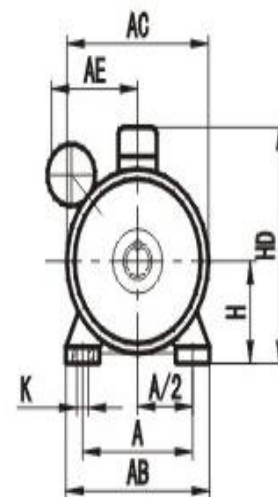
B34



B14



B3



Frame Size	B3 Installation size (mm)										B34 Installation size (mm)						B3、B34 Dimensional (mm)				
	A	A/2	B	C	D	E	F	G	H	K	M	N	P	R	S	T	AB	AC	AE	HD	L
50	80	40	63	32	9	20	3	7.2	50	5.8	55	40	70	0	M5	2.5	100	110	55	125	155
56	90	45	71	36	9	20	3	7.2	56	5.8	65	50	80	0	M5	2.5	115	120	65	135	170
63	100	50	80	40	11	23	4	8.5	63	7	75	60	90	0	M5	2.5	130	130	70	165	230
71	112	56	90	45	14	30	5	11	71	7	85	70	105	0	M6	2.5	145	145	95	180	255
80	125	62.5	100	50	19	40	6	15.5	80	10	100	80	120	0	M6	3.0	160	165	110	200	295
90S	140	70	100	56	24	50	8	20	90	10	115	95	140	0	M8	3	180	185	120	220	310
90L			125																		355
100	160	80	140	63	28	60	8	24	100	12	215	180	250	0	15	4	205	200	130	260	430
112	190	95	140	70	28	60	8	24	112	12	215	180	250	0	15	4	245	250	140	300	455
132S	216	108	140	89	38	80	10	33	132	12	265	230	300	0	15	4	280	290	155	350	525
132M			178																		565

Frame Size	Axis Extension Size (mm)				B14 Installation Size (mm)						B14 Dimensional (mm)				B5 Installation Size (mm)					B5 Dimensional (mm)				
	D	E	F	G	M	N	P	R	S	T	AC	AD	AE	L	M	N	P	R	S	T	AC	AD	AE	L
50	9	20	3	7.2	55	40	70	0	M5	2.5	110	75	55	155							110	75	60	155
56	9	20	3	7.2	65	50	80	0	M5	2.5	120	80	65	170							120	80	75	170
63	11	23	4	8.5	75	60	90	0	M5	2.5	130	100	70	230	115	95	140	0	10	3	130	100	85	230
71	14	30	5	11	85	70	105	0	M6	2.5	145	110	95	255	130	110	160	0	10	3.5	145	110	95	255
80	19	40	6	15.5	100	80	120	0	M6	3	165	120	110	295	165	130	200	0	12	3.5	175	120	110	300
90S	24	50	8	20	115	95	140	0	M8	3	185	130	120	310	165	130	200	0	12	3.5	185	130	120	335
90L														335										360
100	28	60	8	24	130	110	155	0	M8	4.0	200	180	130	430	215	180	250	0	15	4	220	180	130	430
112	28	60	8	24	130	110	160	0	M8	4.0	250	190	140	455	215	180	250	0	15	4	250	190	140	455
132S	38	80	10	33	165	130	200	0	M10	4	290	210	155	525	265	230	300	0	15	4	290	210	155	525
132M	38													565										